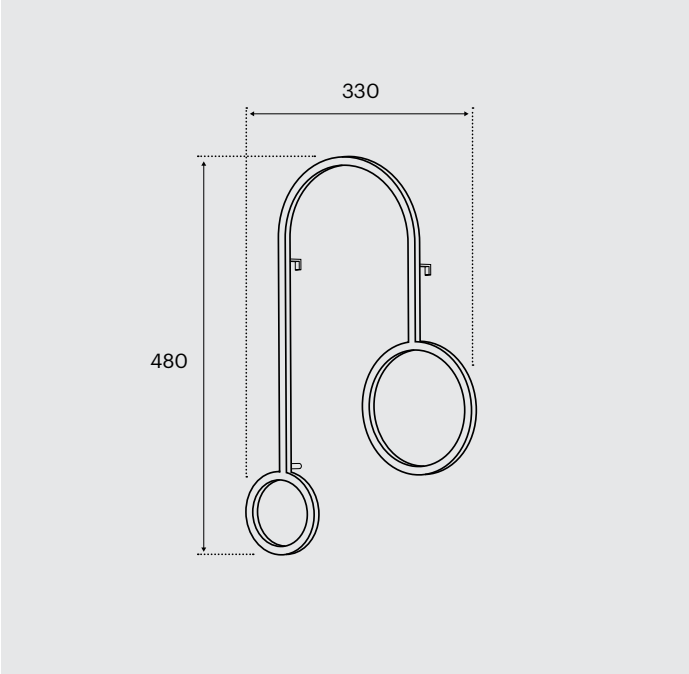


BEATRIX ROWE: PRODUCTS

J19.09

Wall Hung

PRICE	\$420 (AUD)
NOTES	Wall hung steel sculpture, handmade limited edition of 50
SPECIFICATIONS	480 x 330mm 8mm thickness



+61 (0) 418 520 514
PRODUCTS@BEATRIXROWE.COM.AU
82 ORMOND ROAD, ELWOOD VIC AUSTRALIA 3184
@BEATRIXROWE_PRODUCTDESIGN

The limited edition J19 sculpture range is many things — each piece is an artwork, a sculpture, an objet d’art. Created by BEATRIX ROWE:, J19 sculptures are made to inject life, form, craftsmanship and creativity into interior spaces. “From conception to construction, we wanted to design a range that is beautifully simple, versatile, affordable and celebrates craftsmanship,” says Beatrix. The J19 range of handmade objects includes three wall hung, three freestanding and three leaning designs. Each piece is intentionally designed for longevity, individually stamped with a unique number and is able to work alone or as part of other J19 pieces. They are designed to interact with their interior surroundings, adding a layer of creative joy and play with light and shadow. Shortlisted for the IDEA Awards.